

ProtoBox -1553B Kit



A Hammond 1553B soft-side plastic enclosure packaged with a matching ProtoBoard 2-hole per strip PCB.



KIT-1553B-BK (black, shown)
KIT-1553B-GY (gray)

www.BusBoard.net

BusBoard Prototype Systems - Built for designers

www.BusBoard.net sales@busboard.net

BPS-MAR-KIT-1553B-001 Rev 3.00

ProtoBox-1553B - ProtoBoard + Box



Attractive hand-held plastic enclosure with matching prototype circuit board.

PR1553B Prototyping Board

ProtoBoard saves time! The PCB is designed for the box. No cutting required.

Convenient 2-hole ProtoBoard pattern provides an easy way to connect parts while maximizing usable board area.

Lead free etched copper PCB with a flux coating for easy soldering and to preserve solderability.

High-quality FR4 glass epoxy board.

Four 4-40 PCB mounting screws provided.

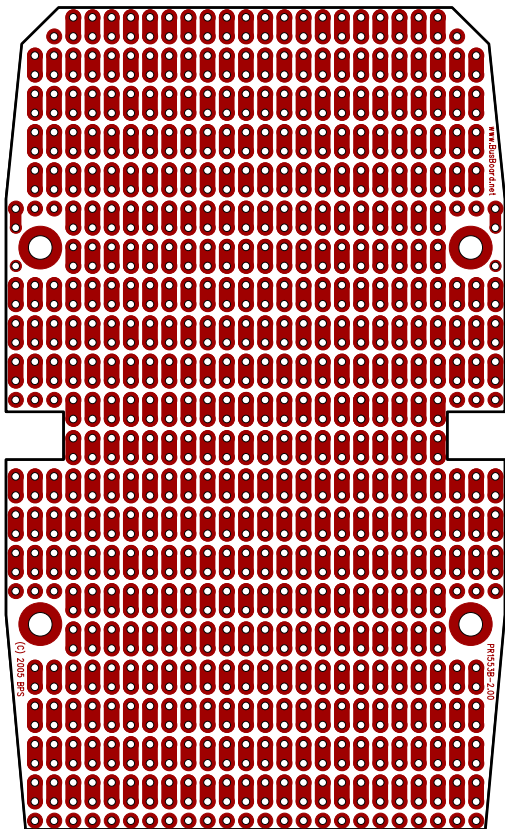
Single sided, 1oz/ft² copper PCB

0.042" holes drilled on 0.1" centers

PCB Size 2.8 x 4.3 in. (71 x 108mm)

Order Part# PR1553B

PCB Layout (Actual Size)



1553B Hand Held Case

Soft-sided ergonomic hand held electronic case.

Built-in PCB standoffs.

1 removable end panel (included).

Recessed top for membrane display or pad.

Lap joint construction provides protection against dust accumulation and splashing water.

Black or grey general purpose ABS plastic.

Secured with self tapping screws (included).

Box Size 4.6 x 3.1 x 1.0 inches (117 x 79 x 24mm)

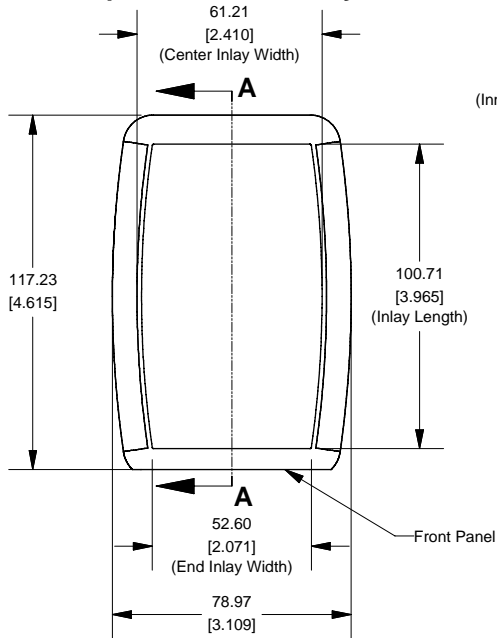
Order Part#

KIT-1553B-GY (Grey Box + PCB)

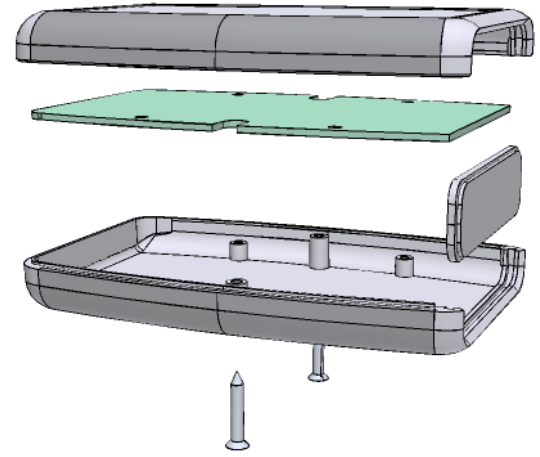
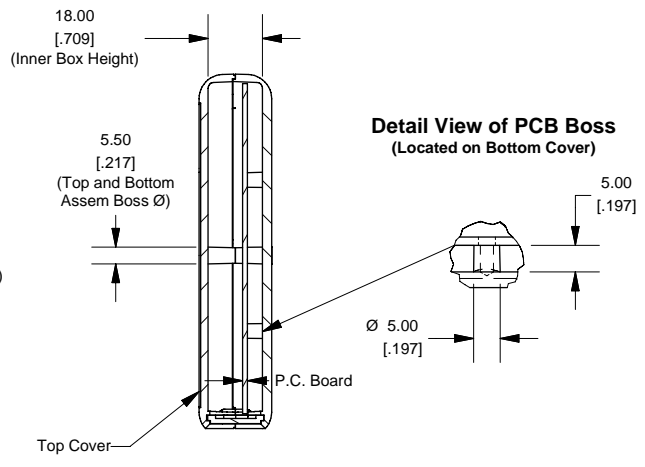
KIT-1553B-BK (Black Box + PCB)



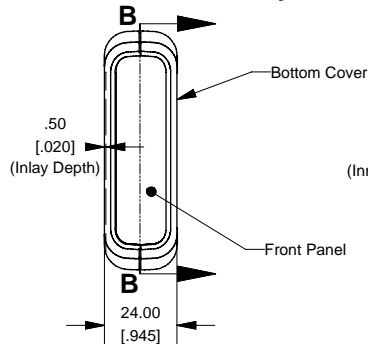
Top View of Assembly



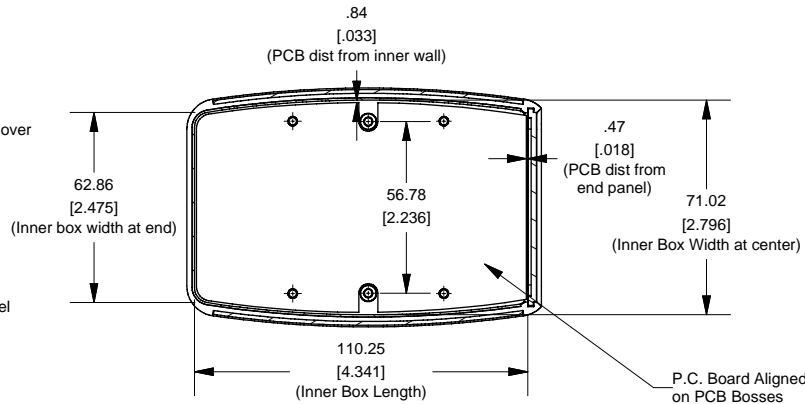
SECTION A-A (Side View Inside Assembly)



End View of Assembly



SECTION B-B (Inside of Bottom Cover)



Enclosures can be Factory Modified (Milling, Drilling, Printing etc.)
 Solid models of this enclosure available in STEP or IGES.
 Contact Factory mjm@hammondmfg.com

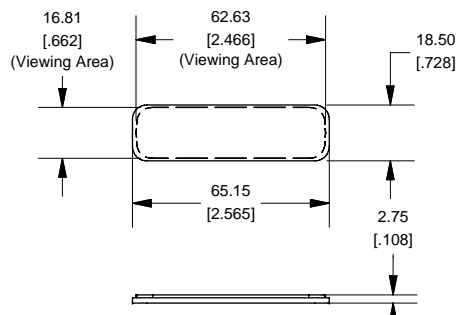
NOTE

Enclosure molded from GP ABS (UL94-HB) plastic.
 Purchased assembly includes top and bottom cover, front plastic panel and 2 cover screws.

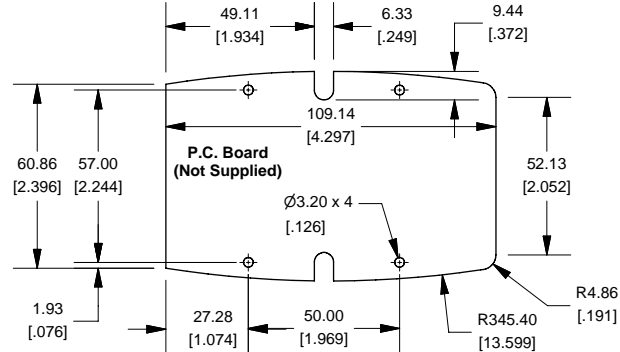
PART NUMBERS

1553B Enclosure	
Black Enclosure/Grey Over-mold	1553BBK
Red Enclosure/Black Over-mold	1553BGY
Translucent Blue Enclosure/Black Over-mold	1553BTBUBK
Yellow Enclosure/Black Over-mold	1553BYLBK
Grey Enclosure/Grey Over-mold	1553BGYBAT
ACCESSORIES	
Cover Screws (Pkg 100)	1593MS100 (Silver)
[#4 x 5/8" self-tapping oval head (15.9mm)]	1593MS100BK (Black)
P.C. Board Screws	1593ATS50 (Pkg 50)
[#4 x 1/4" self-tapping (6.4mm)]	1593ATS100 (Pkg 100)
Belt or Pocket Clip	1599CLIP (Black) 1599CLIPGY (Grey)

Front/Rear Panel (Dashed Line Indicates Viewing Area)



Maximum P.C. Board Size



HAMMOND MANUFACTURING™
1553B
www.hammondmfg.com