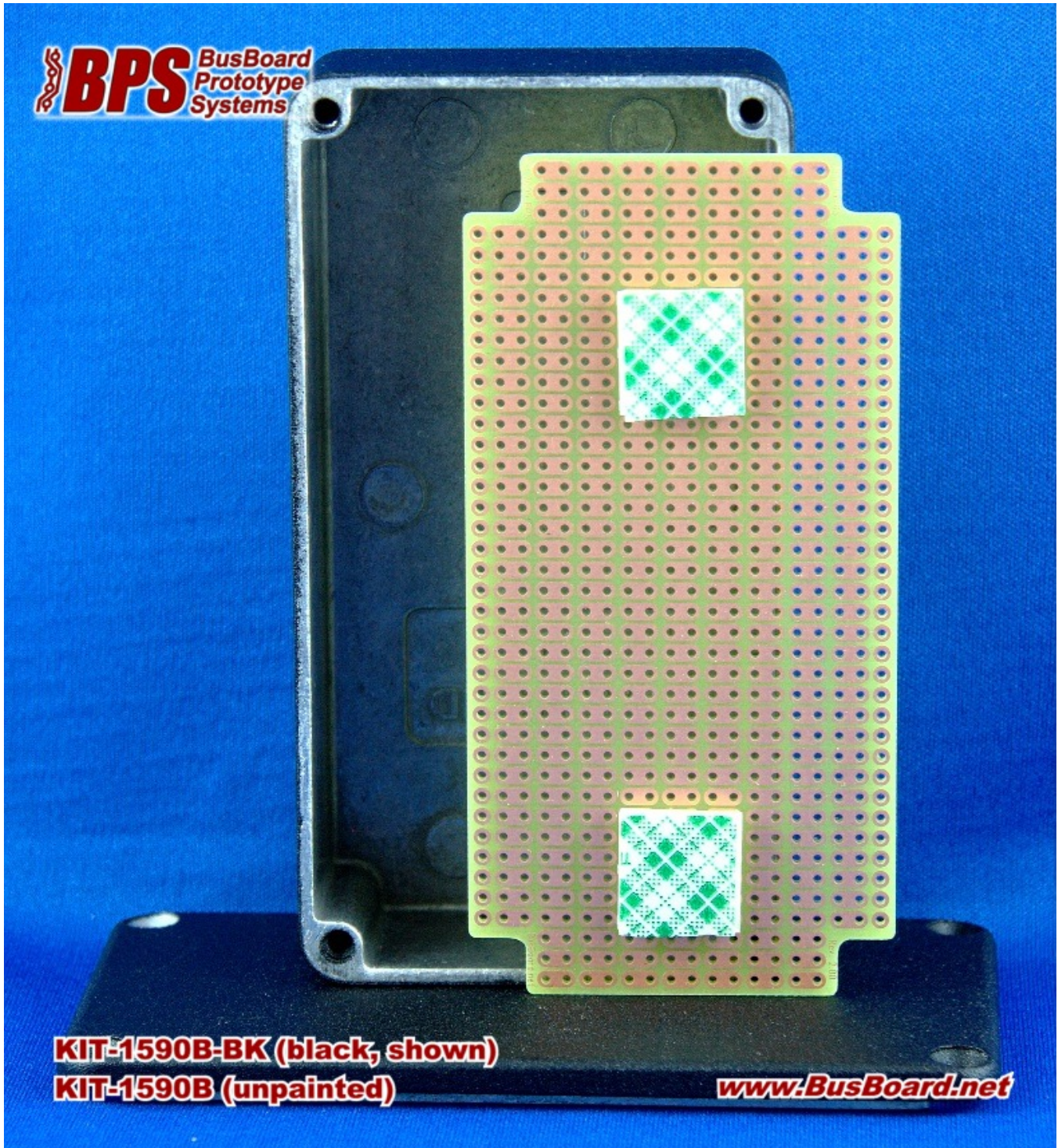


ProtoBox -1590B Kit



A Hammond 1590B rugged die-cast enclosure packaged with a matching ProtoBoard 2-hole per strip PCB.



BusBoard Prototype Systems - Built for designers

www.BusBoard.net sales@busboard.net

BPS-MAR-KIT-1590B-001 Rev 3.00

ProtoBox-1590B - ProtoBoard + Box



Practical and rugged die-cast enclosure with matching circuit board.

PR1590B Prototyping Board

ProtoBoard saves time! The PCB is designed for the box. No cutting required.

Convenient 2-hole ProtoBoard pattern provides an easy way to connect parts while maximizing usable board area.

Lead free etched copper PCB with a flux coating for easy soldering and to preserve solderability.

High-quality FR4 glass epoxy board.

PCB fits in the bottom of box or the top lid.

Two 4-40 size PCB mounting holes.

Single sided, 1oz/ft² copper PCB

0.042" holes drilled on 0.1" centers

PCB Size 4.05 x 2.05 in. (103 x 53mm)

Order Part# PR1590B

1590B Enclosure

Rugged diecast aluminum alloy electronic instrument enclosure. Tough - yet easy to machine.

Lap joint construction provides protection from dust and splashing water and also provides for improved EMI/RFI shielding. Designed to meet IP54 dust and water protection standard.

Unpainted box is vibra finished for a smooth surface with no sharp edges. A black painted version is available by special order.

Four 6-32 x 1/2" machine screws (included) secure lid into factory tapped holes.

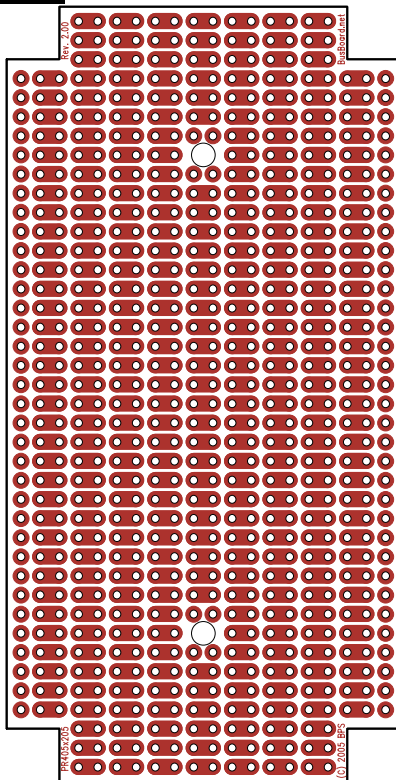
Box Size 4.39 x 2.34 x 1.06 in. (112 x 60 x 27 mm)

Order Part#

KIT-1590B (Unpainted Box + PCB)

KIT-1590B-BK (Black Box + PCB)

PCB Layout

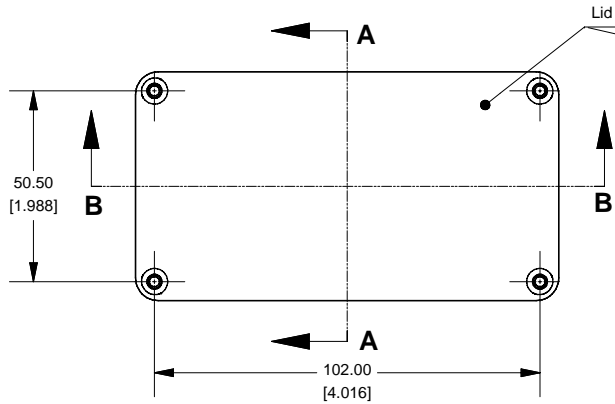


BusBoard Prototype Systems - Built for designers

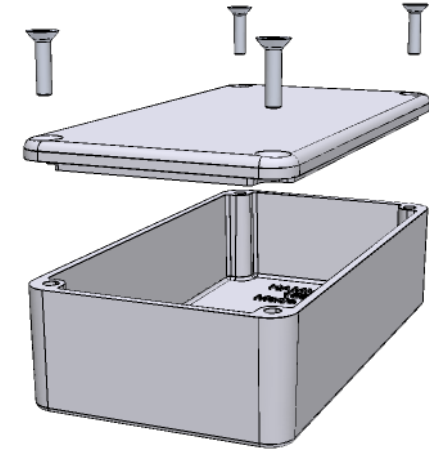
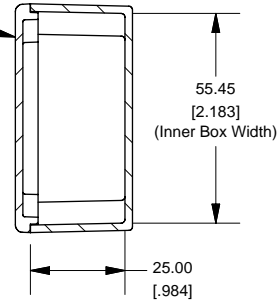
www.BusBoard.net sales@busboard.net

BPS-MAR-PR1590B-001 Rev 3.00

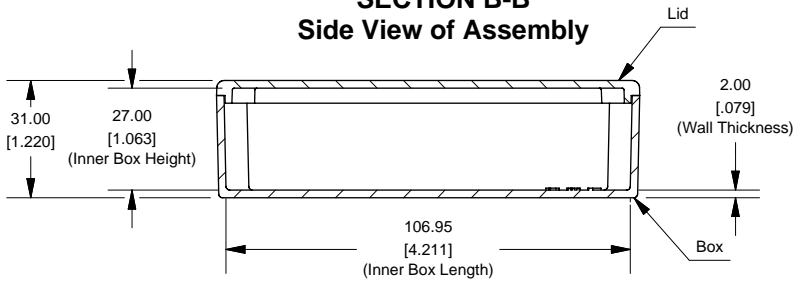
Top View of Assembly



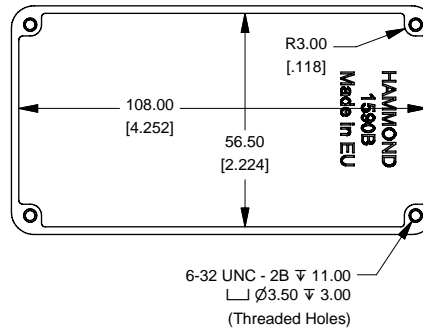
SECTION A-A End View of Assembly



SECTION B-B Side View of Assembly



Top View Looking Inside Box



Enclosures can be Factory Modified (Milling, Drilling, Printing etc.)
Contact Factory mjm@hammondmfg.com for quotes
Solid models of this enclosure available in STEP or IGES.

NOTE

Purchased assembly includes box, lid and 4 cover screws.
Box and lid are made from Diecast Aluminum Alloy (alloy type 380).
Silicone Gasket Loctite #5950

PART NUMBERS

1590B Enclosure	
Unfinished	1590B
Grey Textured Polyester Powder Paint - RAL 7038	1590BGY
Black Textured Polyester Powder Paint - RAL 9011	1590BBK
1590B Liquid Resistant Enclosure (Silicon Factory Installed Gasket)	
Unfinished	1590WB
Black Textured Powder Paint	1590WBBK
ACCESSORIES	
Recommended Torque: 75 ozf.in / 55 cN.m	
Black Textured Cover Screws (Pkg 50) [6-32 x 1/2" SS Type 304]	1590WMS100BK
Unfinished Cover Screws (Pkg 100) [6-32 x 1/2" Nickel Plated Screws]	1590WMS100
Standard Cover Screws	
Unfinished Cover Screws (Pkg 100) [6-32 x 1/2" Nickel Plated Screws]	1590MS100
Black Textured Cover Screws (Pkg 50) [6-32 x 1/2" SS Type 304]	1590MS100BK

Lid

